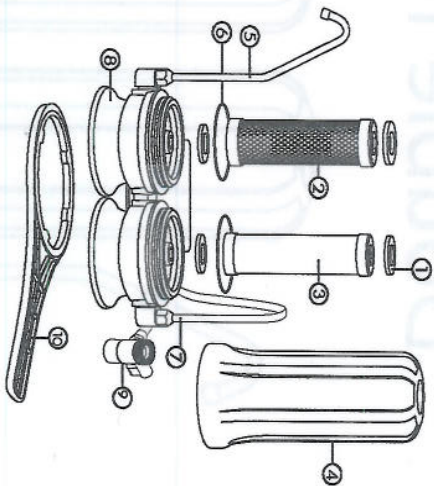


**Part List**

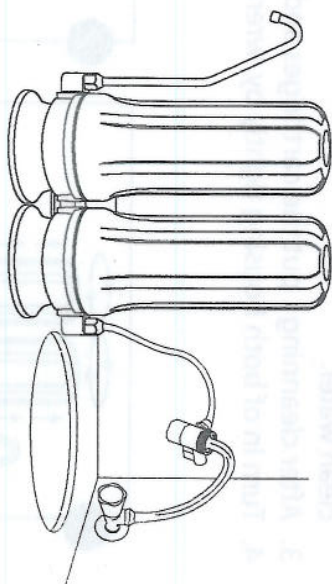
1. O-Ring
2. Carbon Block
3. PE
4. Housing
5. Spout Faucet
6. O-Ring
7. Tube line
8. Base of water filter
9. Tap
10. wrench



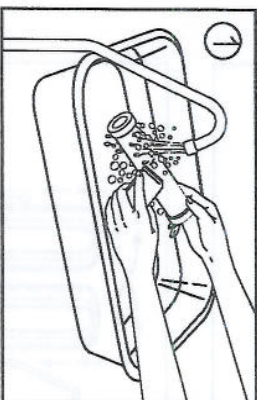
**Instruction**

1. Before use, please take off the plastic that cover the cartridges inside housing.
2. Put the cartridge in the clean water about 2-3 minutes.
3. Clean housing with clean water before use.
4. Frist time before use water filter, please release the water come out of the water filter about 3 minutes for cleaning inside housing before use.
5. Should be used the water filter at least 2-3 liters because if you don't use it for a long time, it will be bacteria born inside the housing.
6. Do not use with hot water maximum 50 ℃.

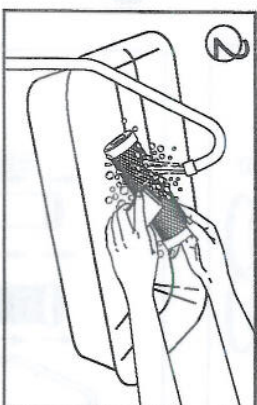
**Installation**



**How to cleaning**



**Polyethylene**



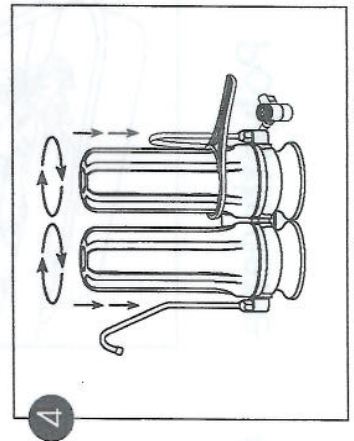
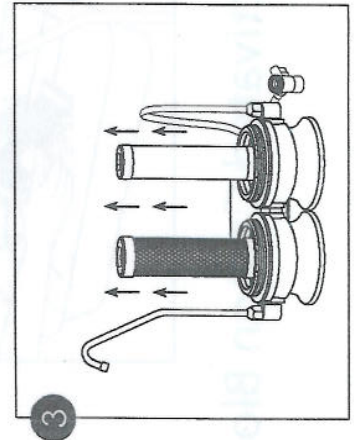
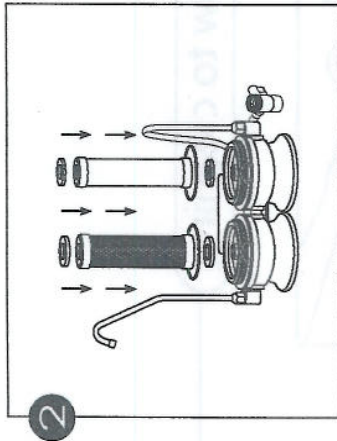
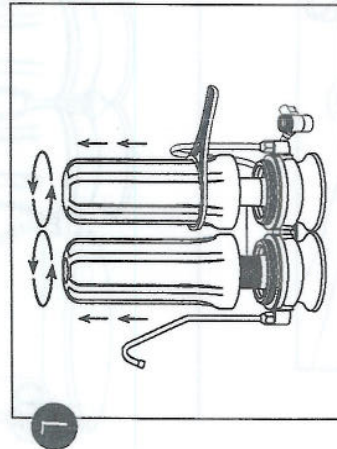
**Activated Carbon Block**



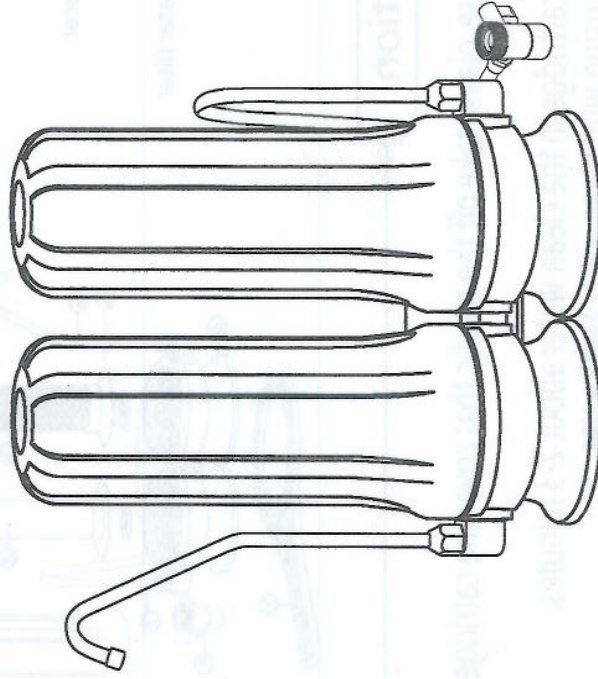
DRINKING WATER MACHINE

How to change the cartridges ?

1. Open housing by wrench.
2. Take off the cartridges and cleaning them by clean water.
3. After cleaning , put the cartridges and o-ring as the same.
4. Turn in of both housing tightly by wrench.



## Double Tube



Manual 572