



Stand-alone & Luminaire-based controls

EL-si

Unlike any other available method, the EL-si range is unique in that it can be connected together and used simultaneously with DALI devices, simple retractive switches (Switch-Control) and Helvar Minisensor2. This Multicontrol feature provides huge advantages in system flexibility, energy saving and user comfort

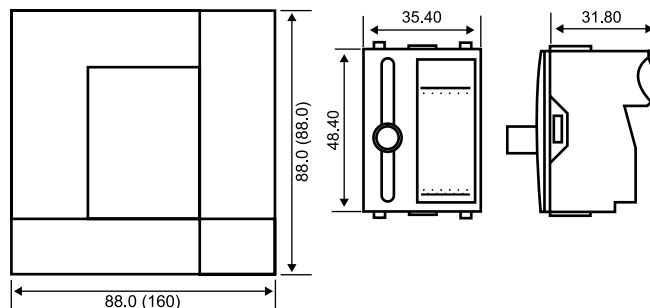
EL-sc

The EL-sc range of controllable ballasts is compatible with the 1-10V analogue control specifications in the standard EN60929 and all devices designed accordingly. With a combination of a TK4, Switch-Control and MIMO2 you can create an energy saving and user friendly lighting application.

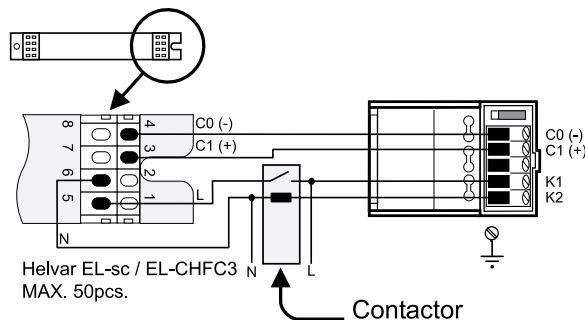
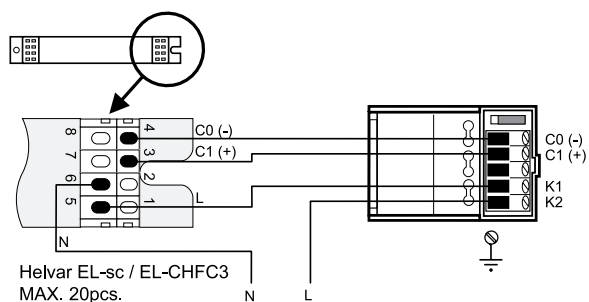
Switch-Control from a simple switch

Full 1-100% dimming range and ON/OFF functionality can be achieved by using any simple mains rated commercially available retractive switch. This can also be connected and simultaneously used together with other external control devices like Helvar TK4, MIMO2 and Minisensor2.

TK4 1-10V Ballast Controller (140)



Connections



Introduction

Helvar's modular ballast controller offers EN 60929 (1-10V) ballast control together with a mains power switch. The TK4 is styled to compliment the Helvar DIGIDIM panel range and offers the same flexibility that the modular concept provides which allows any mix of TK4 and DIGIDIM control panels.

Key Features

- High power mains switch
- Easy to use slider control
- Switch on to last level

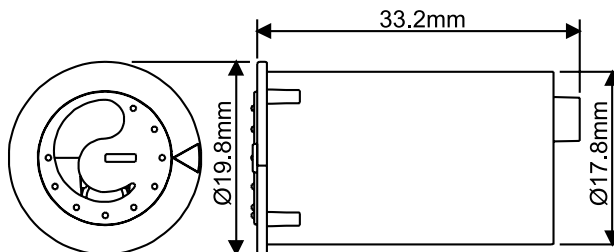
Technical Data

Control voltage:	1-10 VDC (EN60929)
Switch Rating:	10 A (resistive) VAC
Switch Load Capacity:	Up to 20 Helvar sc /CHFC3 ballasts
Ambient Temperature	0°C . . . 35°C
Humidity	0 . . . 90% non-condensing
Storage Temperature	-10°C . . . 70°C
IP rating	30

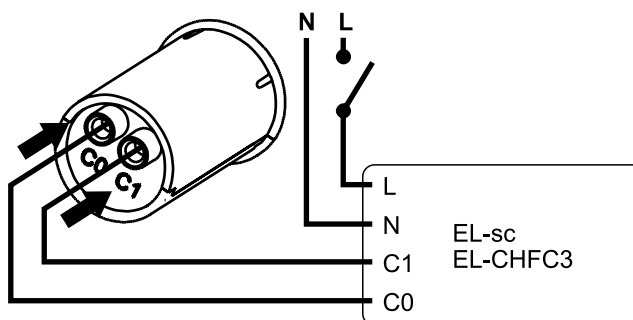
Product Order Code:

- 140200 White
- 140201 Polished Brass
- 140202 Brushed Stainless Steel
- 140203 Stainless Steel with Gray Insert

MIMO 2 Light Sensor (HES37420)



Connections



4

Introduction

MIMO 2 is a cylindrical light sensor that can be fitted into a luminaire casing. By using the T5 or T8 mounting brackets the MIMO2 can also be retro fitted to existing luminaires. MIMO2 connects directly to the control input of Helvar sc/CHFC3 1-10V controllable ballasts only.

Key Features

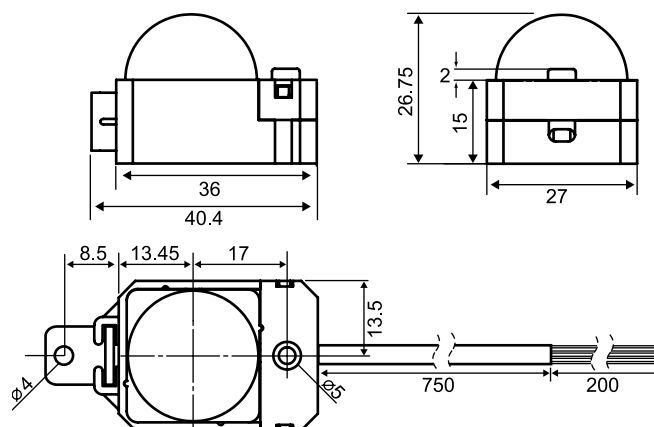
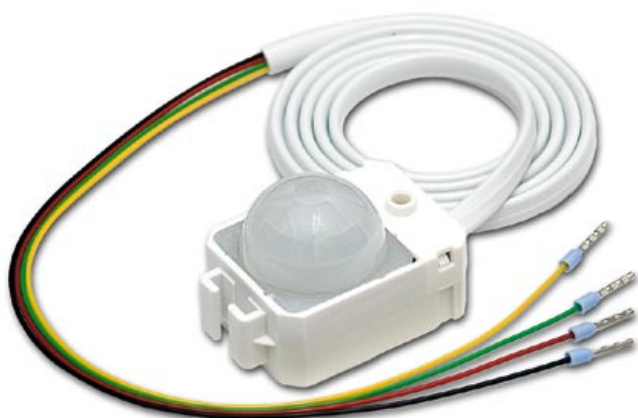
- Simple setting of the constant light level
- Start up at full level
- Controls up to 15 Helvar electronicballasts
- Supply voltage derived from the ballast

Technical Data

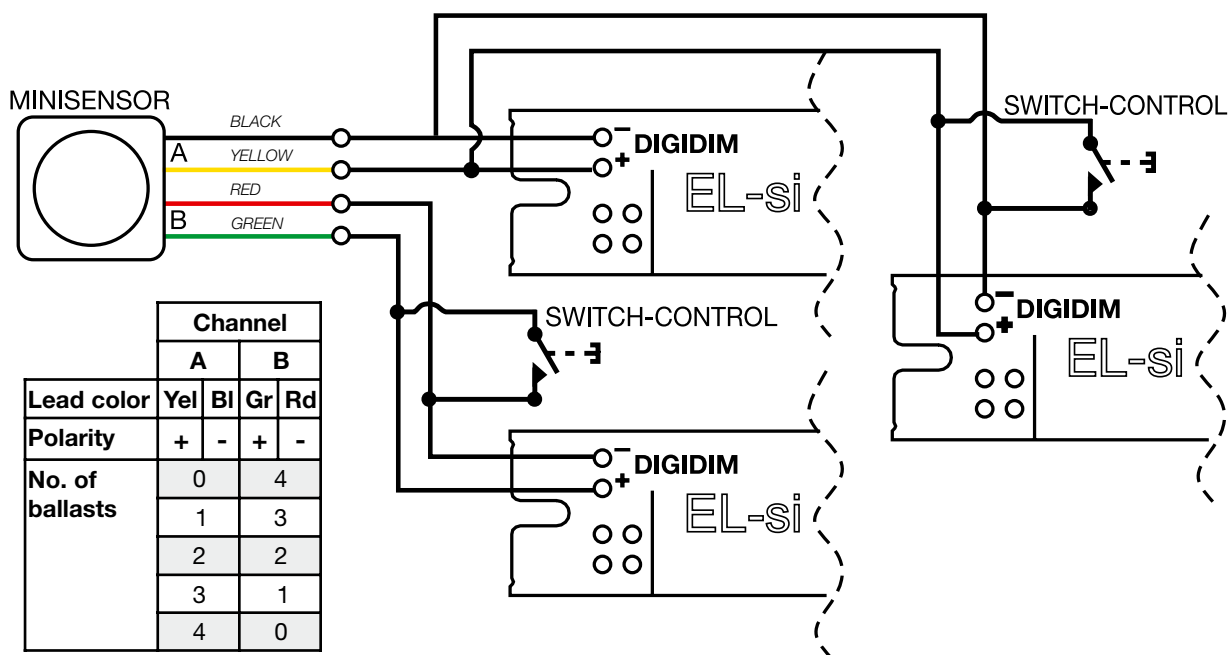
Control voltage:	1-10 VDC (EN60929)
Measuring Range:	200 . . . 600 Lux at sensor set 2 m above
Ambient Temperature	0°C . . . 55°C
Humidity	0 . . . 80% non-condensing
Storage Temperature	-40°C . . . 70°C
IP rating	20

Product Order Code: HES37420

Minisensor2



Connections



Introduction

The Minisensor2 allows advanced lighting control features from a minimal package. Three inbuilt sensors create opportunities for energy saving and a wide range of end user flexibility. The Minisensor2 has 2 separate control channels allowing flexible smart control of up to 4 ballasts.

Key Features

- Constant light sensor
- Presence detector with manual ON automatic OFF possibility
- IR-receiver
- Easy installation in only 27x40x27 mm case

Technical Data

Internal communication with Helvar EL-si electronic ballast

Ambient Temperature	0°C . . . 50°C
Humidity	0 . . . 90% non-condensing
Storage Temperature	-40°C . . . 70°C
IP rating	30

Constant light sensor

Reception area:	100°
Measuring range:	100-1500 lux

Presence detector

Reception area:	4.5 x 3.0 m, mounting height 3.0 m
-----------------	------------------------------------

Product Order Code: